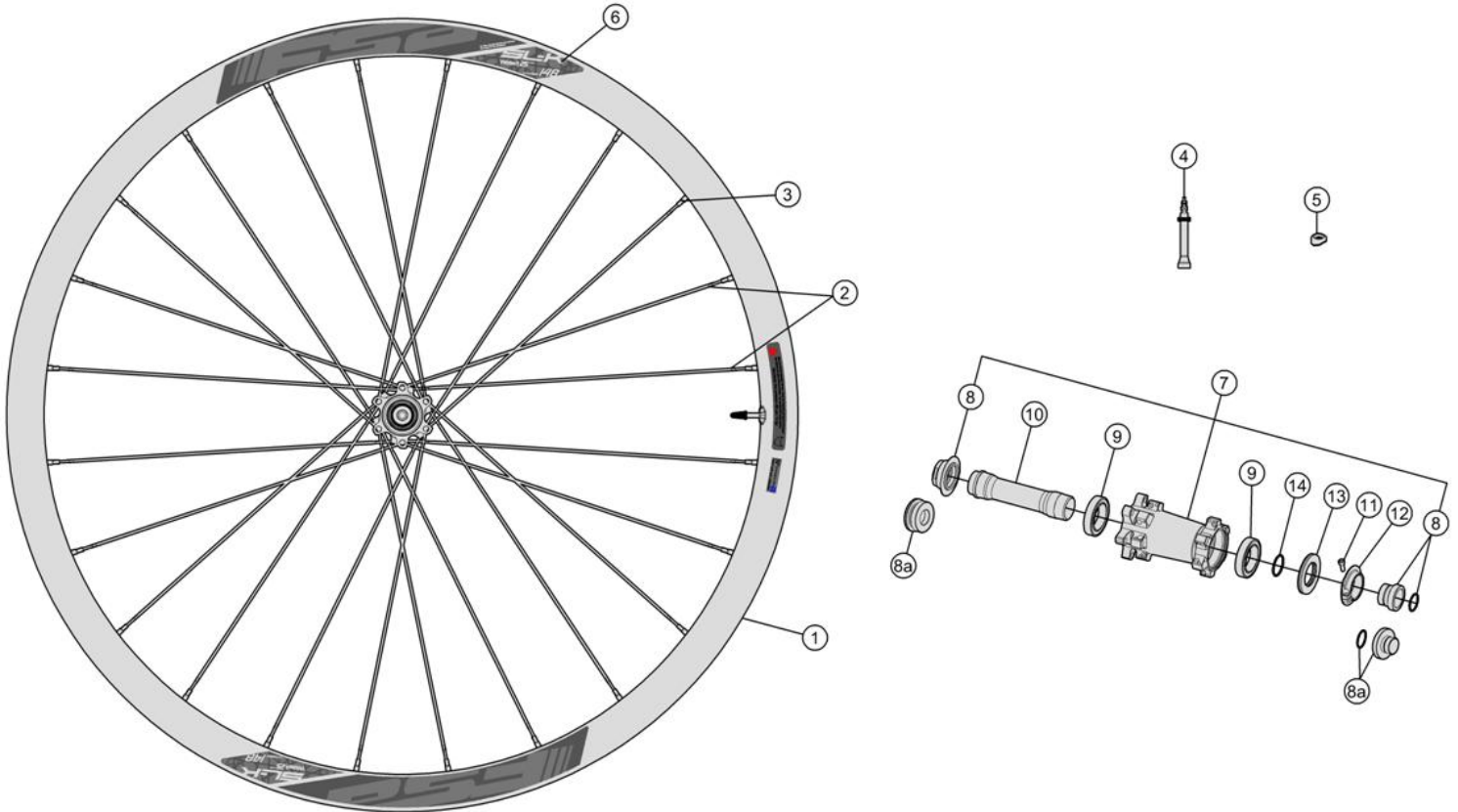


SL-K Wider i25 29" Boost148 LTD WH-TX-930-9/148

Asymmetric, 30mm deep x 30mm wide carbon Tubeless rim; Alloy P.R.A. hubs for Direct pull spokes

720-0046183030 WH680{WH-TX-930-9/148/F} Front wheel compatible with Fox fork

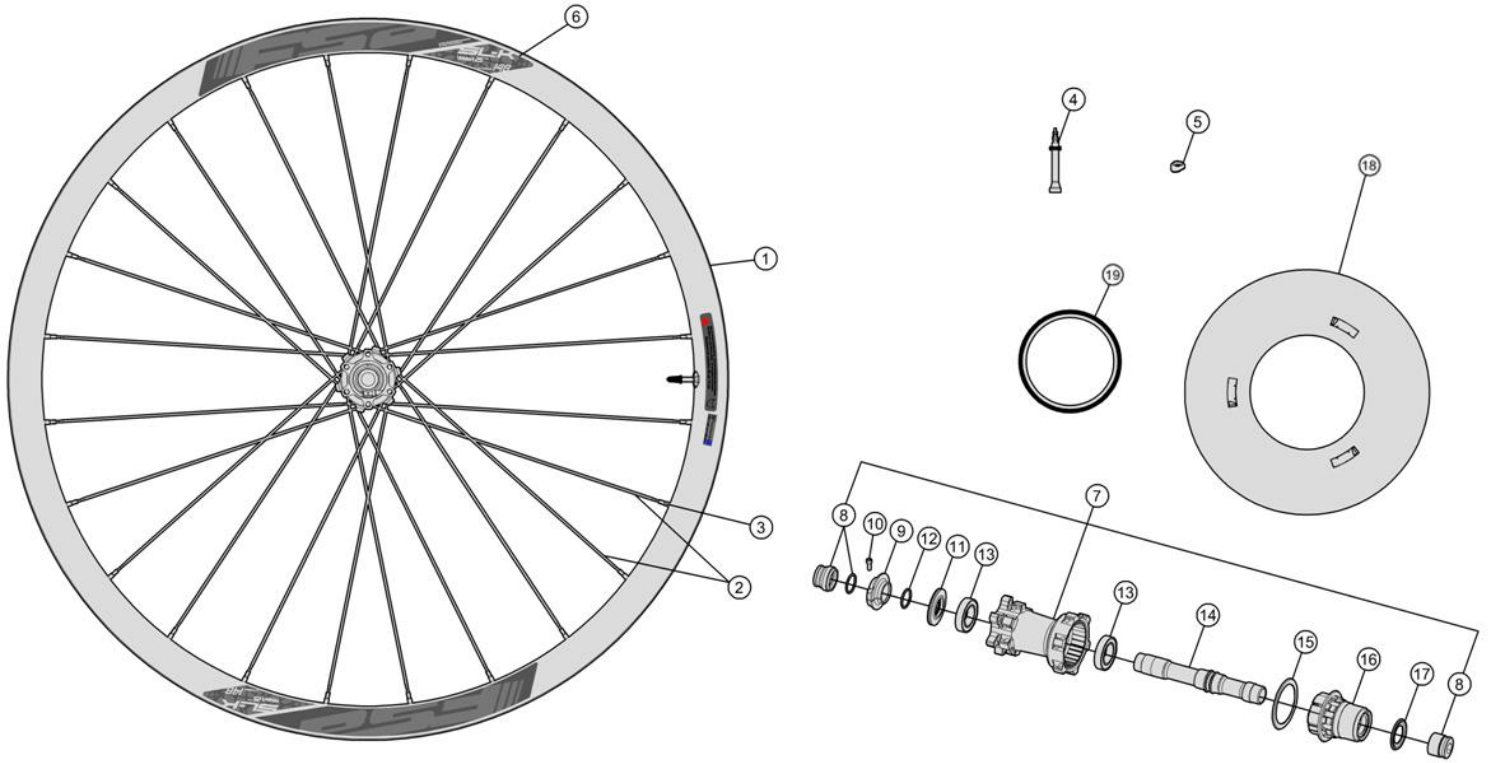


Item No.	FSA Code No.	Description	Notes
1	725-0078011030	RM124 Front Rim, Tubeless - 29"x24H	★Rim Sticker Kit not included
2	748-0029042010	SK057L Spoke Kit 290mm x5 pcs	Direct Pull
3	752-0473000140	ML240 14mm Hex Brass Black Nipple Kit x5 pcs	
4	752-0118000000	E0508 Tubeless Valve Stem	
5	752-0117000110	E0507 Asymmetric Rim Valve Cover	
6	752-0625000000	ZJWH0605 Rim Sticker Kit	SL-K Wider LTD +148 FSA logo for 29"
7	752-0394002010	U1103 Front Hub Assembly	FOX fork compatible TA15
8	752-0423000010	EL289 Front Hub End Cap Kit	FOX fork compatible
9	752-0123000000	MR183 Steel Bearing x1 pc	
10	752-0426000010	ME270 Front Hub Axle	
11	752-0311000000	ML347 Preload Adjustment Collar Bolt	
12	752-0432000050	MW559 Preload Adjustment Collar	
13	752-0431000010	MS335 Labyrinth Dust Spacer	
14	752-0428000110	MS015 Labyrinth Dust Spacer O-ring	

★ Optional Parts

Item No.	FSA Code No.	Description	Notes
7	752-0395002011	U1104 Front Hub Assembly	Torque Caps compatible
8a	752-0422000010	EL286 Front Hub End Cap Kit	Torque Caps compatible

Optional Replacement Parts are not included in the OEM package. They can be purchase from FSA distributors or dealers.



Item No.	FSA Code No.	Description	Notes
1	725-0078011030	RM124 Rear Rim, Tubeless - 29"x24H	★Rim Sticker Kit not included
2	748-0029042010	SK057L Spoke Kit 290mm x5 pcs	Direct Pull ,for Non-drive side
	748-0029041010	SK057K Spoke Kit 288mm x5 pcs	Direct Pull ,for Drive side
3	752-0473000140	ML240 14mm Hex Brass Black Nipple Kit x5 pcs	
4	752-0118000000	E0508 Tubeless Valve Stem	
5	752-0117000110	E0507 Asymmetric Rim Valve Cover	
6	752-0625000000	ZJWH0605 Rim Sticker Kit	SL-K Wider LTD +148 FSA logo for 29"
7	752-0399002011	U5103 Rear Hub Assembly	★SRAM XX1 compatible TA12
8	752-0011000010	EL211 Rear Hub End Cap Kit	TA-12 compatible
9	752-0433000050	MW560 Preload Adjustment Collar	
10	752-0311000000	ML347 Preload Adjustment Collar Bolt	
11	752-0430000010	MS334 Labyrinth Dust Spacer	
12	752-0429000110	MS016 Labyrinth Dust Spacer O-Ring	
13	752-0077000000	MR028 Steel Bearing x1 pc	
14	752-0427000011	ME271 Rear Hub Axle	
15	752-0124000110	MS296 Rear Hub Labyrinth Dust Spacer	Shimano / SRAM XX1 compatible
16	752-0425000000	EL292 Freehub Assembly – SRAM XX1 compatible	★Include Chromoly Steel Bearings
17	752-0385000560	MS311 Labyrinth Dust Spacer O-ring (Green)	SRAM XX1 compatible
18	752-0618008000	W1149 Wheelset Spoke Protector	★For SRAM
19	752-0579000110	ME310 Tubeless Rim Tape 25mm	For a pair wheelset

★Optional Parts

Item No.	FSA Code No.	Description	Notes
7	752-0397002011	U2103 Rear Hub Assembly	Shimano compatible
16	752-0424000000	EL291 Freehub Assembly – Shimano compatible	Include Chromoly Steel Bearing
18	752-0130000000	W1020 Wheelset Spoke Protector	For SMN

Optional Replacement Parts are not included in the OEM package. They can be purchase from FSA distributors or dealers.